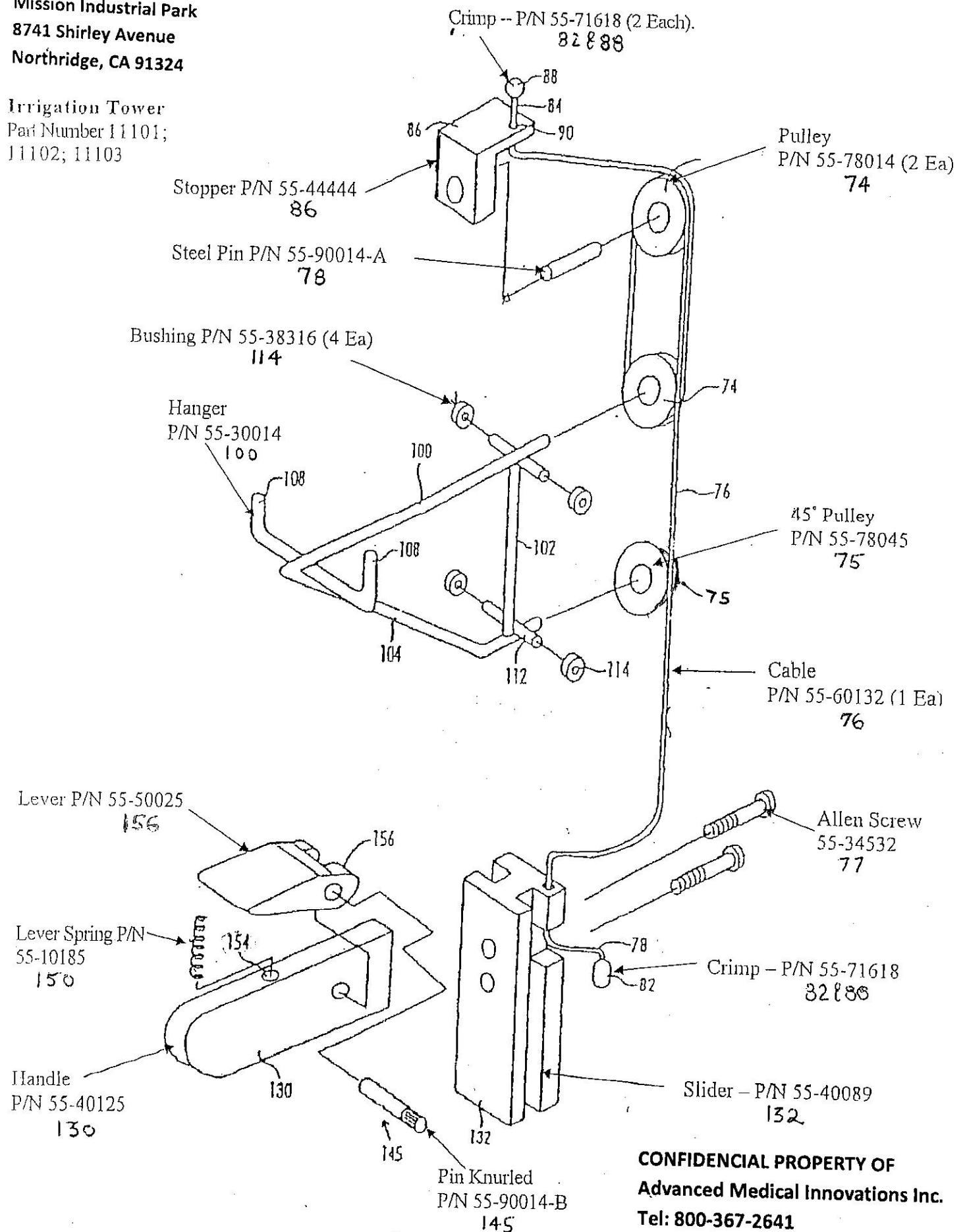


Advanced Medical Innovations Inc.
Mission Industrial Park
8741 Shirley Avenue
Northridge, CA 91324

Irrigation Tower
Part Number 11101;
11102; 11103



Channel Assembly Drawing

CONFIDENTIAL PROPERTY OF
Advanced Medical Innovations Inc.
Tel: 800-367-2641